


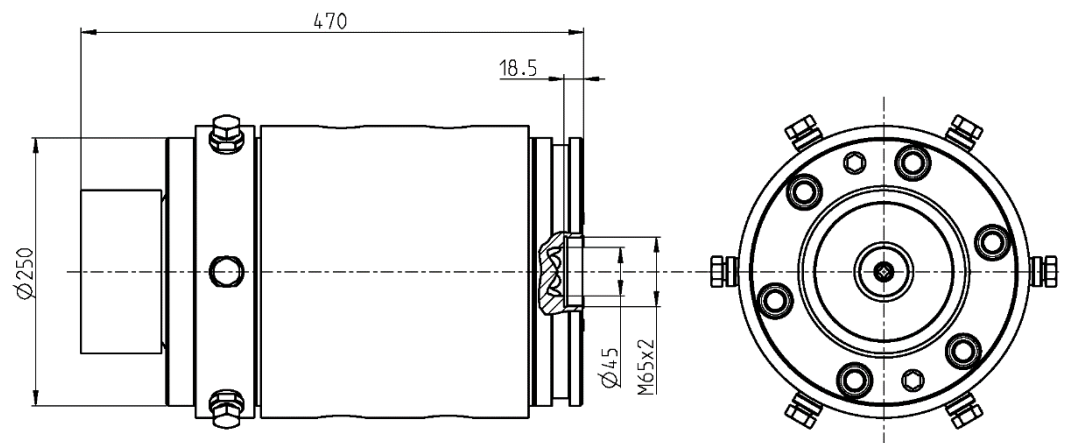
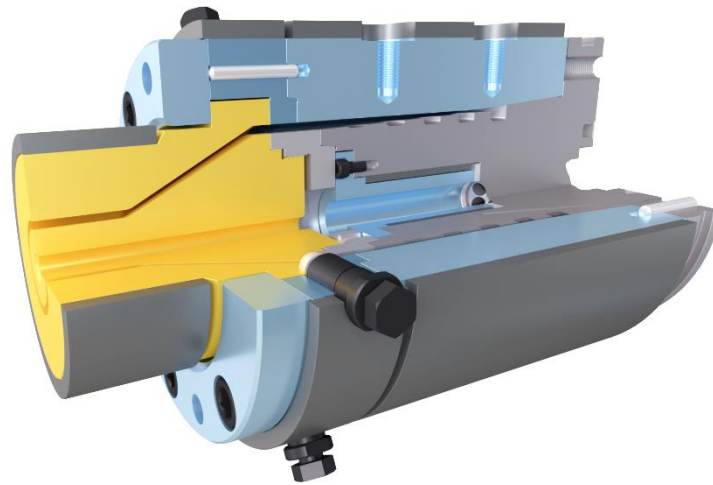


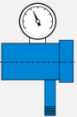

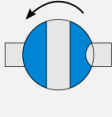

E100LF10

 Single layer	
 Manual centring	 4 Heating zone(s)



Version	Maximum opening of the Tip	Maximum opening of the Die	Main entry port / thread		Auxiliary entry port / thread		Total length	Crosshead diameter	Max. working temperature	Max. working pressure	Weight
			A	B	C	D					
-	-	100 mm	45 mm	M65x2	-	-	470 mm	250 mm	<400°C	400 bars	186 kg

Options

 Vacuum connection	 Extruder connection	 Bypass module	 Trolley or stand							
--	--	--	---	--	--	--	--	--	--	--