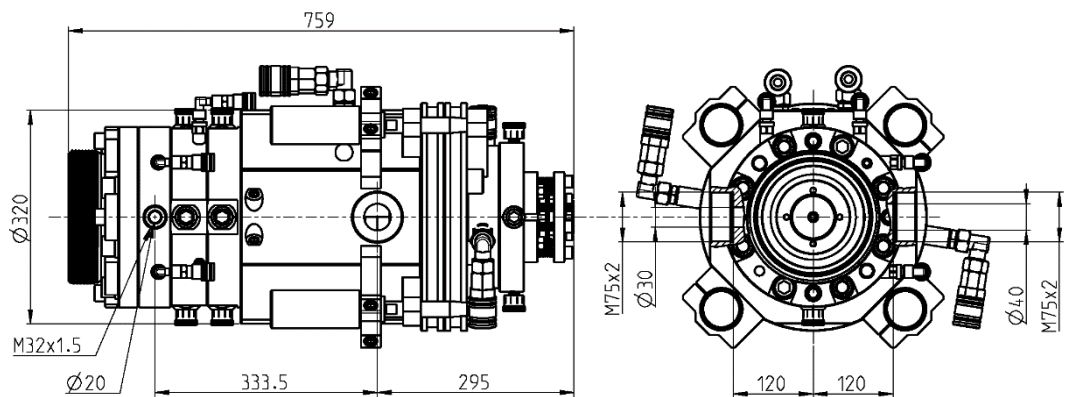
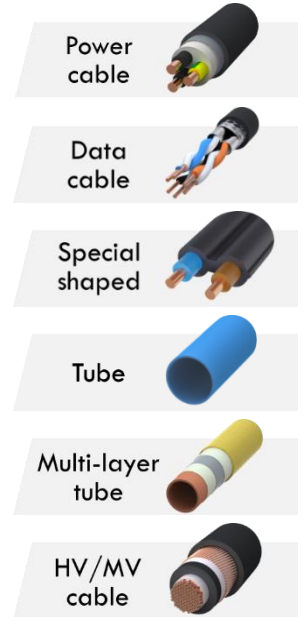
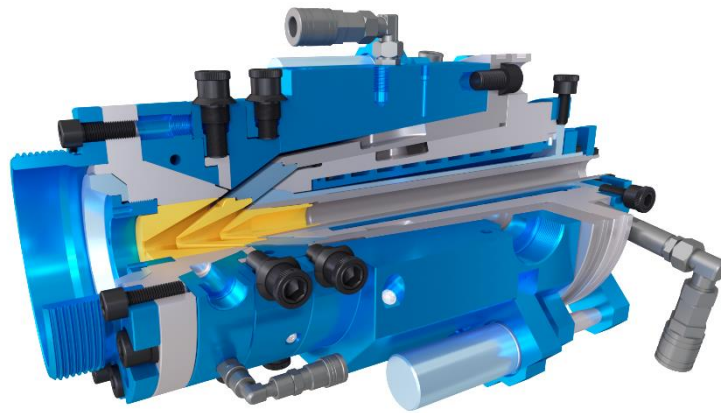
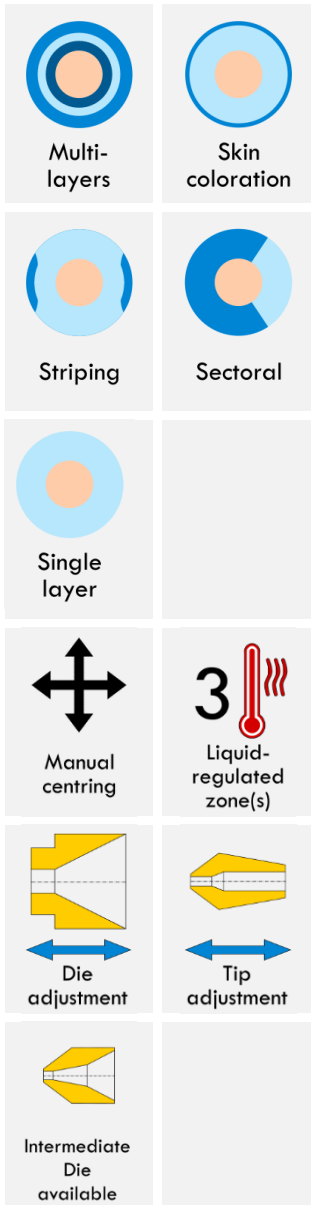


E30GT21



Version	Maximum opening of the Tip	Maximum opening of the Die	Main entry port / thread		Auxiliary entry port / thread		Total length	Crosshead diameter	Max. working temperature	Max. working pressure	Weight
			A	B	C	D					
-	30 mm	50 mm	40/30 mm	M75x2	20 mm	M32x1.5	759 mm	320 mm	<250°C	500 bars	365 kg

Options

