




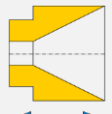
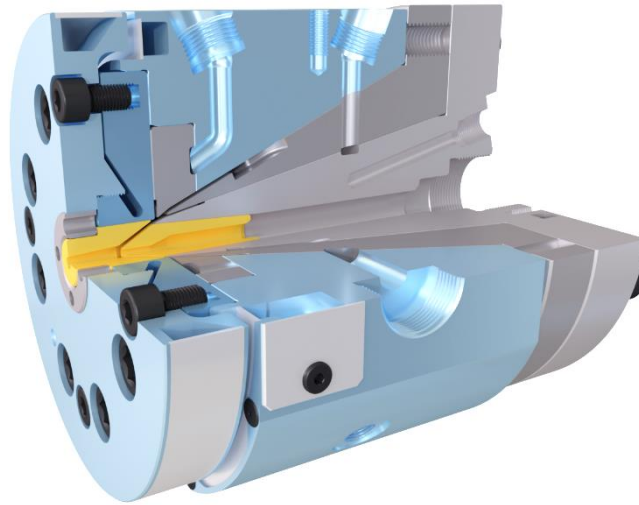


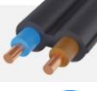
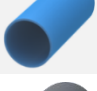

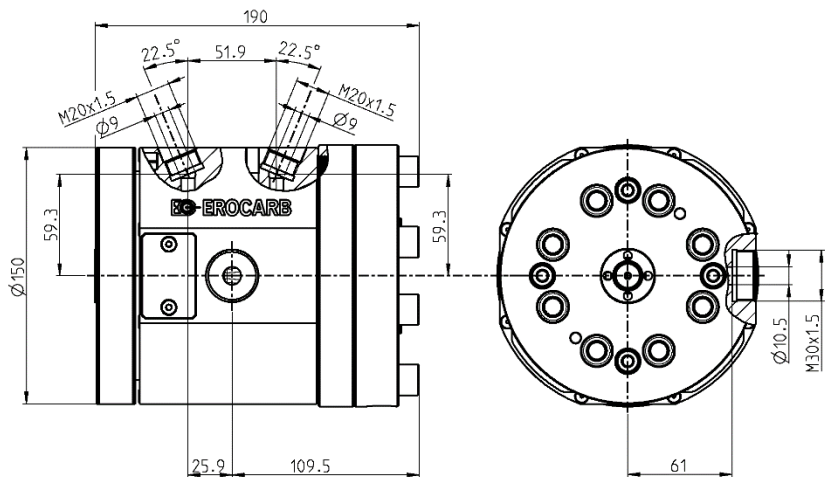


# E4HF30

 SFS	 Skin coloration
 Striping	 Single layer
<b>FT</b> Fine-tuning centring	<b>3</b>  Heating zone(s)
 Die adjustment	



-  Power cable
-  Data cable
-  Special shaped
-  Tube
-  Foamed cable



Version	Maximum opening of the Tip	Maximum opening of the Die	Main entry port / thread		Auxiliary entry port / thread		Total length	Crosshead diameter	Max. working temperature	Max. working pressure	Weight
			A	B	C	D					
-	7 mm	11 mm	10.5 mm	M30x1.5	9 mm	M20x1.5	190 mm	150 mm	<400°C	500 bars	24 kg

## Options

 Vacuum connection	 Extruder connection	 Bypass module	 Trolley or stand	 Customized distributor						
--	--	--	---	---	--	--	--	--	--	--