


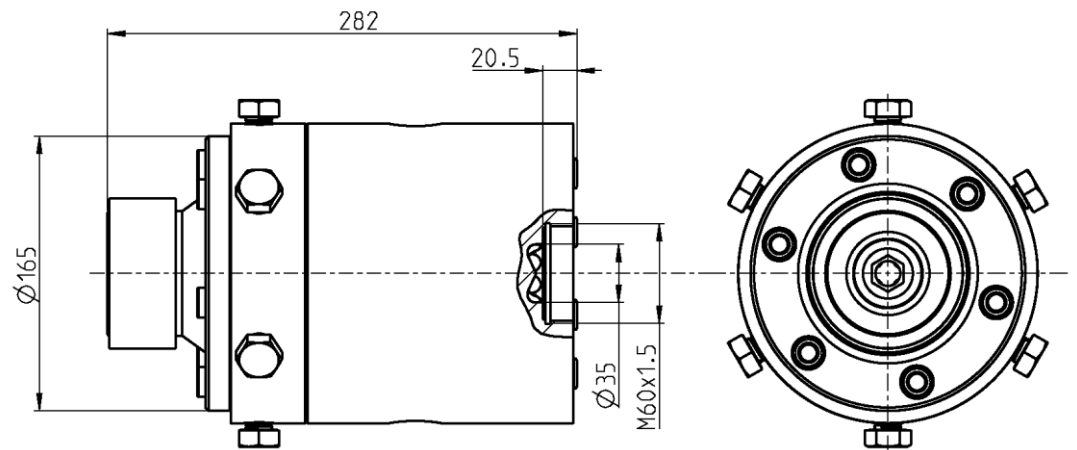
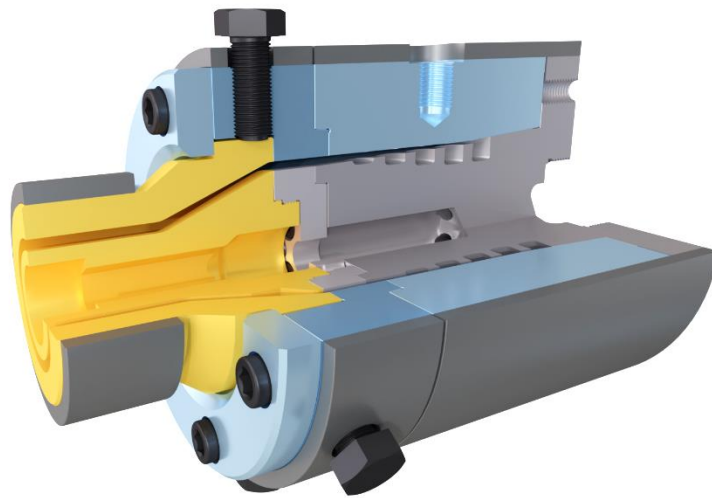




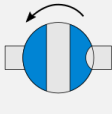

E50LF10

 Single layer	
 Manual centring	 3 Heating zone(s)



Version	Maximum opening of the Tip	Maximum opening of the Die	Main entry port / thread		Auxiliary entry port / thread		Total length	Crosshead diameter	Max. working temperature	Max. working pressure	Weight
			A	B	C	D					
-	-	50 mm	35 mm	M60x1.5	-	-	282 mm	165 mm	<400°C	400 bars	40 kg

Options

 Vacuum connection	 Extruder connection	 Bypass module	 Trolley or stand							
--	--	--	---	--	--	--	--	--	--	--