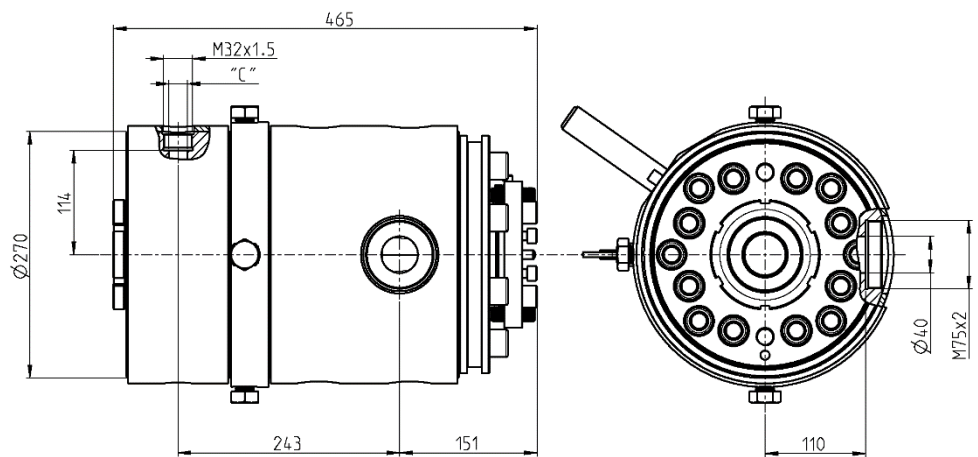
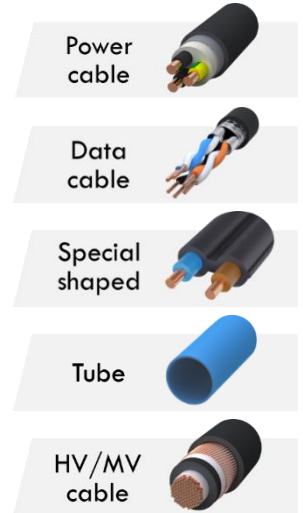
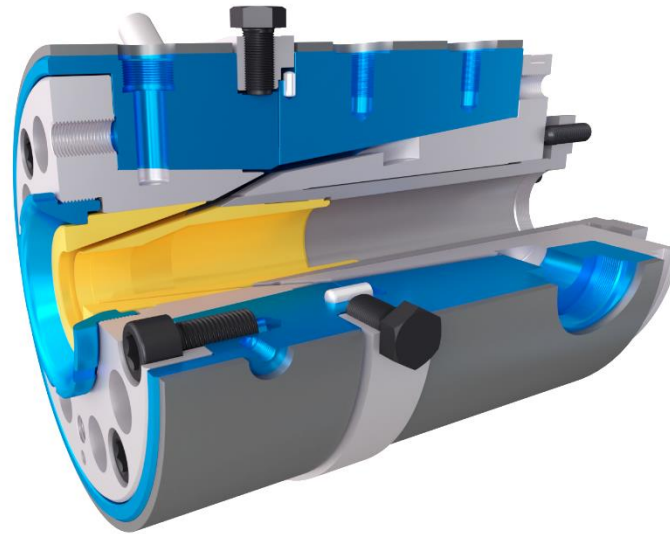
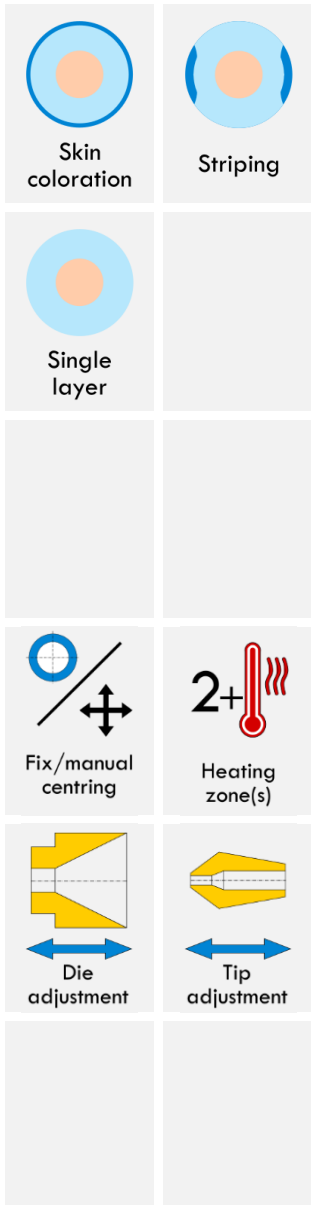


E60AN11



Version	Maximum opening of the Tip	Maximum opening of the Die	Main entry port / thread		Auxiliary entry port / thread		Total length	Crosshead diameter	Max. working temperature	Max. working pressure	Weight
			A	B	C	D					
Normal	60 mm	70 mm	40 mm	M75x2	15 mm	M32x1.5	465 mm	273 mm	<250°C	500 bars	175 kg
HFFR					20 mm						

Options

