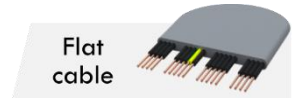
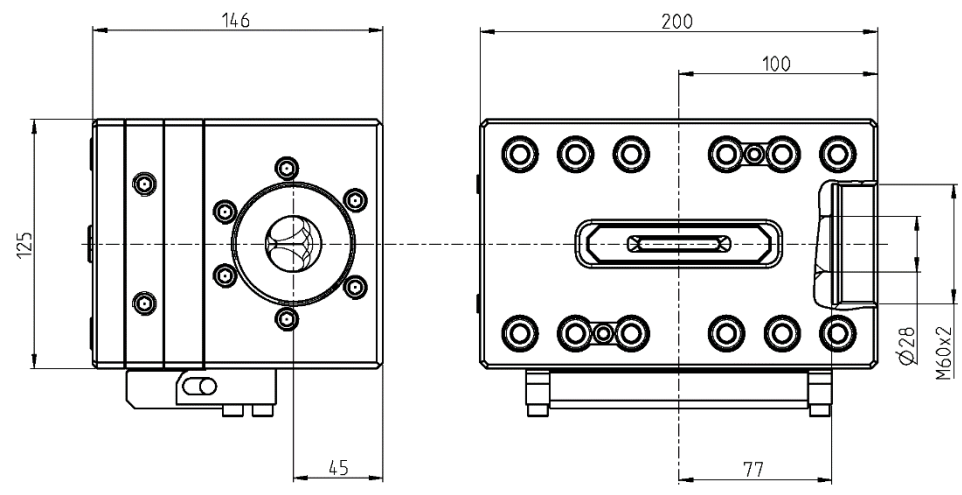
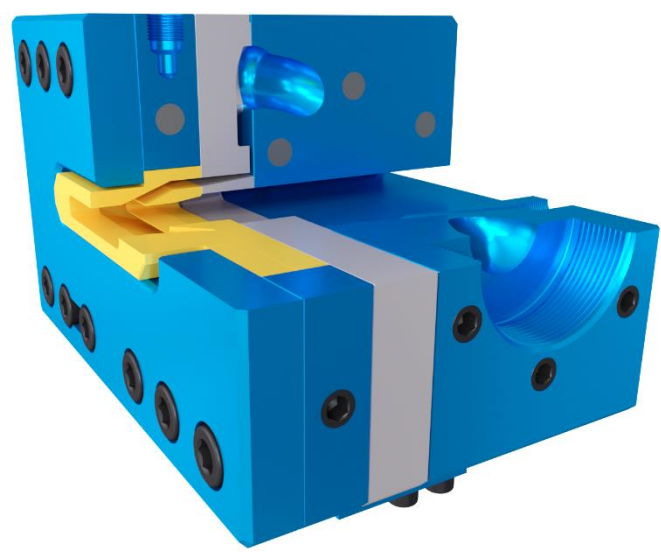


E80PN10



Single layer	
Fix centring	2 Heating zone(s)



Version	Maximum opening of the Tip	Maximum opening of the Die	Main entry port / thread		Auxiliary entry port / thread		Total length	Crosshead diameter	Max. working temperature	Max. working pressure	Weight
			A	B	C	D					
-	80x8 mm	82x10 mm	28 mm	M60x2	-	-	146 mm	125 mm	<400°C	400 bars	26 kg

Options

Vacuum connection	Extruder connection	Bypass module	Trolley or stand	Customized distributor					